

# ABCART SERIES

The ABCART Series - Extra Low Clearance Torque Wrench are essential for limited clearance applications. The ABCART Series utilizes standard Hexpro Power Heads.

- Open Spanner Links
- Closed Spanner Links
- Fits into Tight Locations



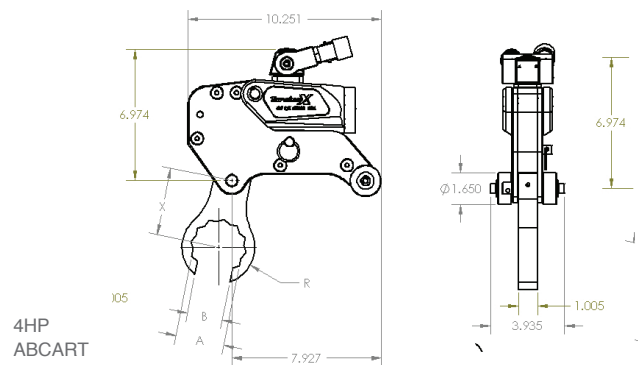
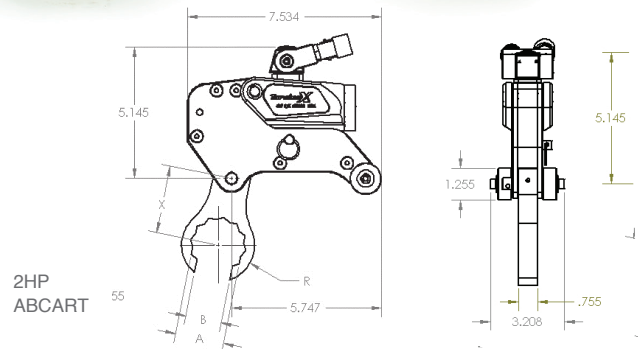
## 2HP ABCART SPECS

OPEN SPANNERS							
	A		B		X		R
2HPAB-102OSL	1.140"	29.0mm	.950"	24.1mm	2.406"	61.1mm	.887" 22.5mm
2HPAB-104OSL	1.260"	32.0mm	1.050"	26.7mm	2.406"	61.1mm	.975" 24.8mm
2HPAB-107OSL	1.185"	30.1mm	1.135"	28.8mm	2.406"	61.1mm	1.166" 29.6mm
2HPAB-110OSL	1.639"	41.6mm	1.200"	30.5mm	2.406"	61.1mm	1.241" 31.5mm
2HPAB-113OSL	1.822"	46.3mm	1.338"	34.0mm	2.406"	61.1mm	1.316" 33.4mm
2HPAB-200OSL	2.015"	51.2mm	1.457"	37.0mm	5.232"	132.9mm	1.516" 38.5mm
2HPAB-203OSL	2.205"	56.0mm	1.582"	40.2mm	5.232"	132.9mm	1.673" 42.5mm
2HPAB-206OSL	2.391"	60.7mm	1.707"	43.4mm	5.232"	132.9mm	1.810" 46.0mm

CLOSED SPANNERS							
	A		B		X		R
2HPAB-102CSL	1.140"	29.0mm	N/A	N/A	2.406"	61.1mm	.887" 22.5mm
2HPAB-104CSL	1.260"	32.0mm	N/A	N/A	2.406"	61.1mm	.975" 24.8mm
2HPAB-107CSL	1.185"	30.1mm	N/A	N/A	2.406"	61.1mm	1.166" 29.6mm
2HPAB-110CSL	1.639"	41.6mm	N/A	N/A	2.406"	61.1mm	1.241" 31.5mm
2HPAB-113CSL	1.822"	46.3mm	N/A	N/A	2.406"	61.1mm	1.316" 33.4mm
2HPAB-200CSL	2.015"	51.2mm	N/A	N/A	5.232"	132.9mm	1.516" 38.5mm
2HPAB-203CSL	2.205"	56.0mm	N/A	N/A	5.232"	132.9mm	1.673" 42.5mm
2HPAB-206CSL	2.391"	60.7mm	N/A	N/A	5.232"	132.9mm	1.810" 46.0mm

## 4HP ABCART SPECS

OPEN SPANNERS							
	A		B		X		R
4HPAB-107OSL	1.447"	36.8mm	1.148"	29.2mm	3.587"	91.1mm	1.202" 30.5mm
4HPAB-110OSL	1.635"	41.5mm	1.273"	32.3mm	3.587"	91.1mm	1.313" 33.4mm
4HPAB-113OSL	1.823"	46.3mm	1.334"	33.9mm	3.587"	91.1mm	1.535" 39.0mm
4HPAB-200OSL	2.010"	51.1mm	1.523"	38.7mm	3.587"	91.1mm	1.585" 40.3mm
4HPAB-203OSL	2.193"	55.7mm	1.621"	41.2mm	3.587"	91.1mm	1.653" 42.0mm
4HPAB-206OSL	2.391"	60.7mm	1.778"	45.2mm	3.587"	91.1mm	1.866" 47.4mm
4HPAB-209OSL	2.582"	65.6mm	1.890"	48.0mm	3.587"	91.1mm	1.931" 49.0mm
4HPAB-212OSL	2.776"	70.5mm	2.023"	51.4mm	3.587"	91.1mm	2.084" 52.9mm
4HPAB-215OSL	2.970"	75.4mm	2.148"	54.6mm	3.587"	91.1mm	2.242" 56.9mm
4HPAB-302OSL	3.165"	80.4mm	2.367"	60.1mm	3.587"	91.1mm	2.560" 65.0mm



CLOSED SPANNERS							
	A		B		X		R
4HPAB-107CSL	1.447"	36.8mm	N/A	N/A	3.587"	91.1mm	1.202" 30.5mm
4HPAB-110CSL	1.635"	41.5mm	N/A	N/A	3.587"	91.1mm	1.313" 33.4mm
4HPAB-113CSL	1.823"	46.3mm	N/A	N/A	3.587"	91.1mm	1.535" 39.0mm
4HPAB-200CSL	2.010"	51.1mm	N/A	N/A	3.587"	91.1mm	1.585" 40.3mm
4HPAB-203CSL	2.193"	55.7mm	N/A	N/A	3.587"	91.1mm	1.653" 42.0mm
4HPAB-206CSL	2.391"	60.7mm	N/A	N/A	3.587"	91.1mm	1.866" 47.4mm
4HPAB-209CSL	2.582"	65.6mm	N/A	N/A	3.587"	91.1mm	1.931" 49.0mm
4HPAB-212CSL	2.776"	70.5mm	N/A	N/A	3.587"	91.1mm	2.084" 52.9mm
4HPAB-215CSL	2.970"	75.4mm	N/A	N/A	3.587"	91.1mm	2.242" 56.9mm
4HPAB-302CSL	3.165"	80.4mm	N/A	N/A	3.587"	91.1mm	2.560" 65.0mm

For more information call  
**1.304.744.9489**